

**KIMOTO**

# New Model !!

Ozone Analyzer

# OA-781



- High accuracy by the flow switching method.
- Easy operation by large color LCD touch panel.
- USB memory is available for data extraction.
- Large capacity memory to save measuring data.
- Digital telemeter (In/Out) through the Ethernet.

## Standard Specifications.

Measuring components  
Measuring method  
Measuring range  
Analog output Ranges

Repeatability  
Zero drift  
Span drift  
Indication error  
Voltage fluctuation test  
Response time  
Minimum detectable limit  
Interference

Operating temperature  
Sample flow rate  
Dust filter \*  
LCD display

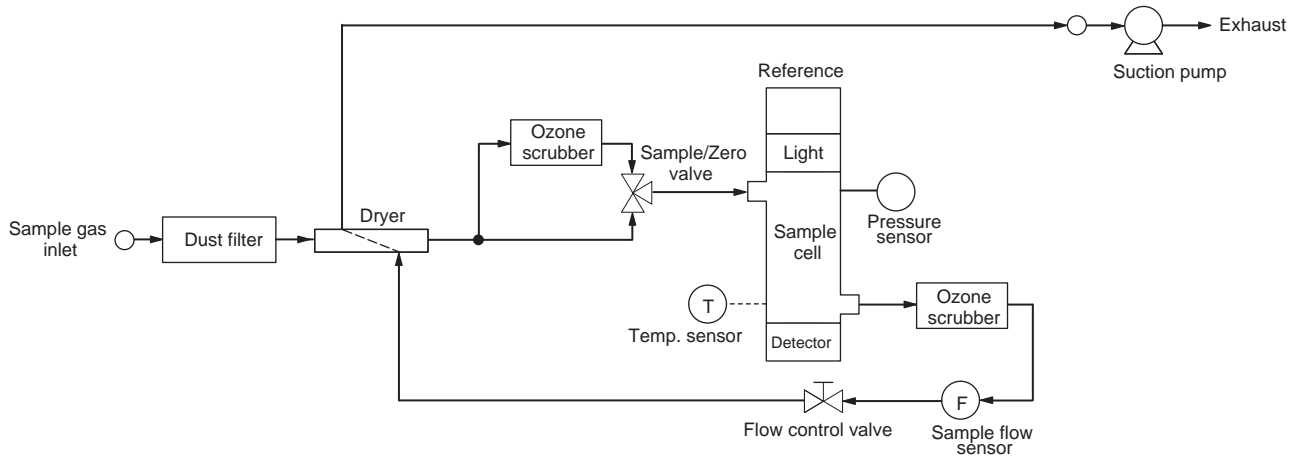
Internal data memory  
Digital In/Outputs  
Output for serial recorder \*

Analog Telemeter Output \*  
Output for to analog recorder  
Power, Power consumption

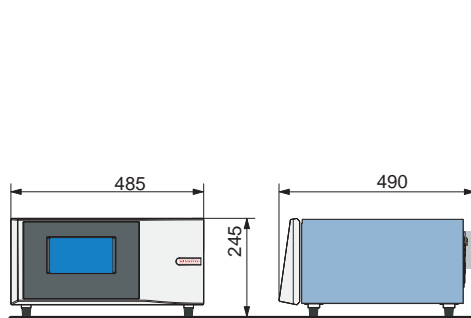
O<sub>3</sub> in the ambient air.  
UV Fluorescence method.  
0 - 1 ppm.  
0 - 0.1/0.2/0.5/1 ppm.  
Starting range can be selectable.  
within +/- 1 % of the span gas.  
within +/- 1 ppb/day.  
within +/- 2 % of the span gas concentration/day.  
within +/- 2 %.  
within +/- 1 % of the span gas concentration./ 100 +/- 10 V.  
less than 2 minutes (T90).  
1 ppb (when the measuring range is 0-0.5 ppm).  
less than 4 ppb (by Toluene 1 ppm).  
less than 4 ppb (Moisture 80 %RH, 25 degrees C).  
0 to 40 degrees C.  
about 1 L/min.  
47 mm in diameter.  
Measuring data, Output range, Alarm,  
Performance control information.  
Measuring data (1 minute value, 1 hour value), Message.  
Ethernet, USB1.1, RS232C.  
Continuous value, Average of 1 hour integrated value,  
Daily report, Notification of status.  
DC 0 - 1 V : Continuous, Average of 1 hour integrated value.  
DC 0 - 1 V : Continuous, Average of 1 hour integrated value.  
AC 100 V, 50/60 Hz, about 300 VA.

\*) Please contact us on other specifications. (sales@kimoto-electric.co.jp)

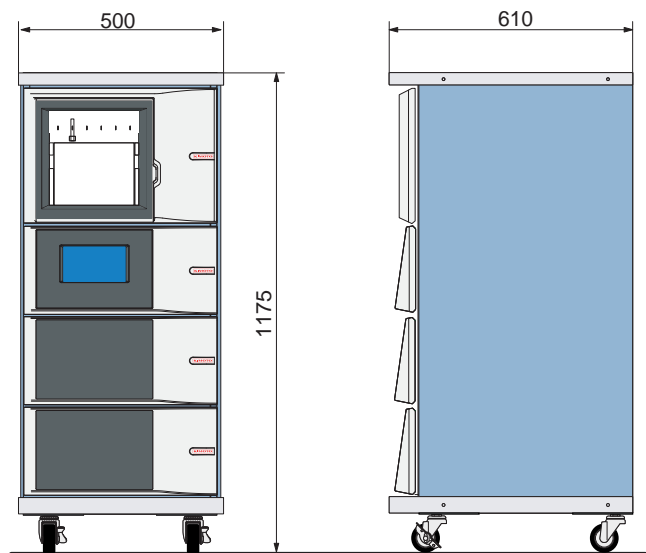
## Flow Diagram



## Size (Desktop type and rack case type)



Desktop type (weight : approx. 13kg)



Rack case type (weight : approx. 60kg)

**CAUTION** \*) Operation manual should be read before the analyzer is operated.  
 \*) To avoid fire, break down and electric shock, do not use this analyzer at the place where there is water, high moisture, dust or oily smoke.

**KIMOTO**

KIMOTO ELECTRIC CO., LTD.

<http://www.kimoto-electric.co.jp/>

3-1 FUNAHASHI-CHO, TENNOJI-KU, OSAKA  
 543-0024 JAPAN

TEL 06-6768-3401 FAX 06-6764-7040

E-mail : [sales@kimoto-electric.co.jp](mailto:sales@kimoto-electric.co.jp)